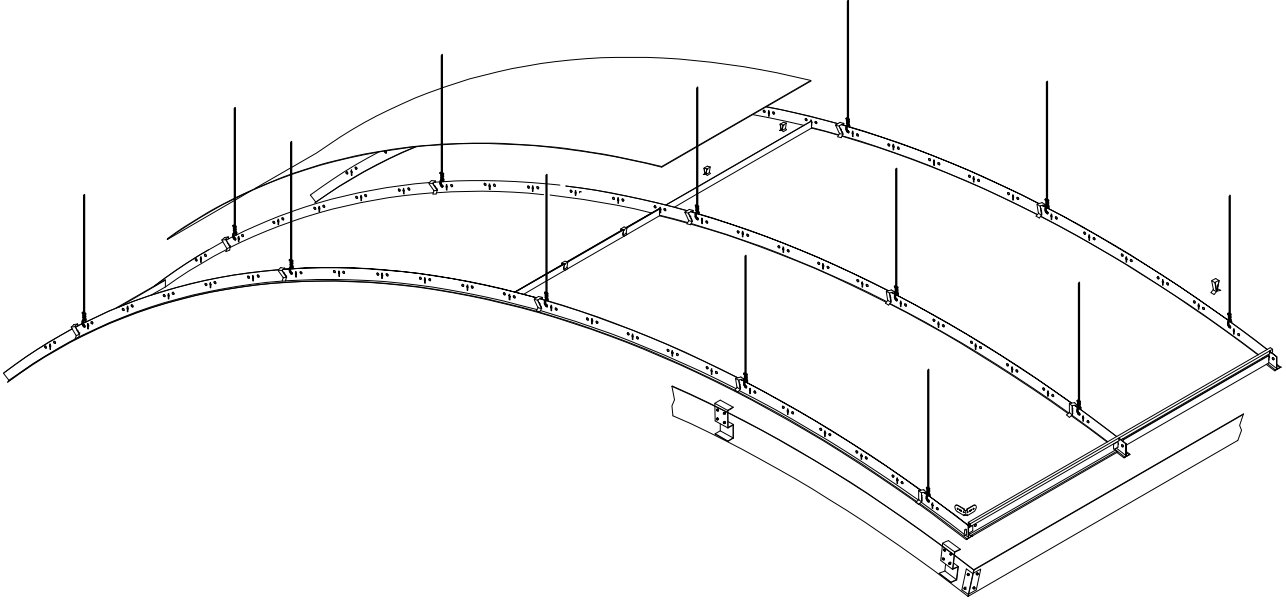


accent

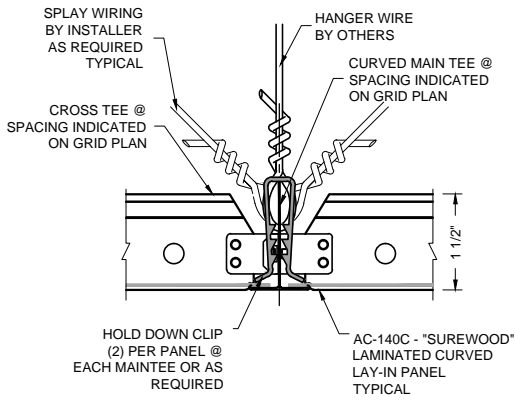
CEILING AND WALLS

A DIVISION OF ADAMS CAMPBELL COMPANY
ISO 9001: 2000 CERTIFIED

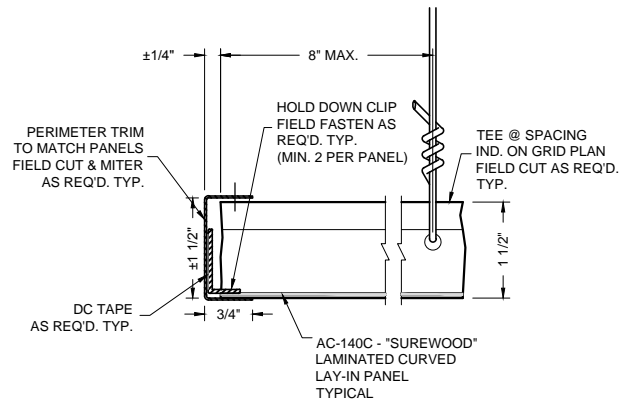
LAY-IN CURVED SUREWOOD CEILING SYSTEM (AC-140C)



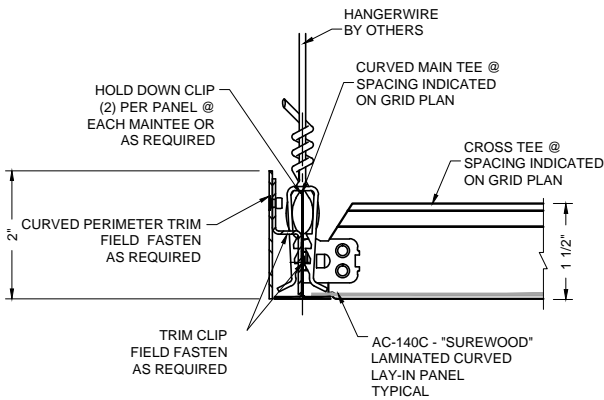
- Description:** Real wood facing curved lay-in ceiling system, Perforated or Non-Perforated, Exposed standard grid system. Flat sheet panel (no upturned edges). Efficient and quick installation. Panel drops into ceiling grid and secured in place with snap-on hold down clip.
- Application:** Ceiling provided for interior installation. (See AC-130F for flat application)
- Material:** Panels are aluminum with real wood facing laminated to face of panel.
- Finishes:** Real wood veneer facing include Maple, Birch, Ash, Cherry and Oak
Reference Options tab for additional finishes available.
- Standard Sizes:** 24" x 24", 24" x 48", Custom sized panels also available.
- Fire Rating:** Class A
- Acoustics:** NRC rating of .70 to 1.00 can be achieved by selecting correct perforation pattern and acoustical backing.
- Perforation:** Reference Options Tab for Patterns, consult manufacturer for acoustical values
- Recycled content:** Aluminum alloys - 32% (5052) - 66% (3105)



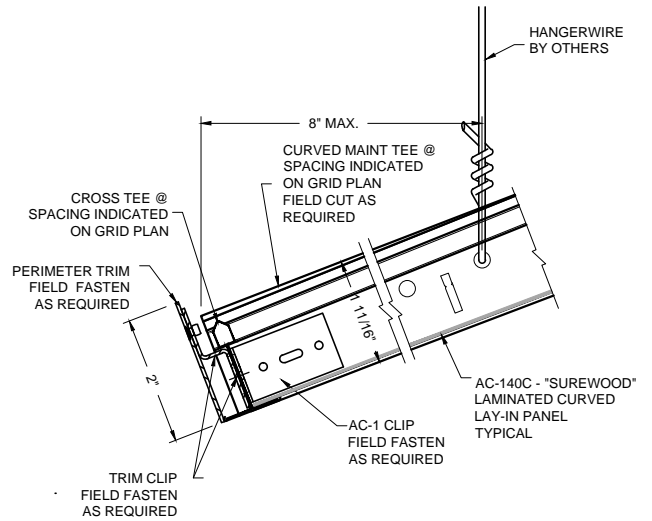
1 PANEL JOINT DETAIL
AC-140C-PJ1



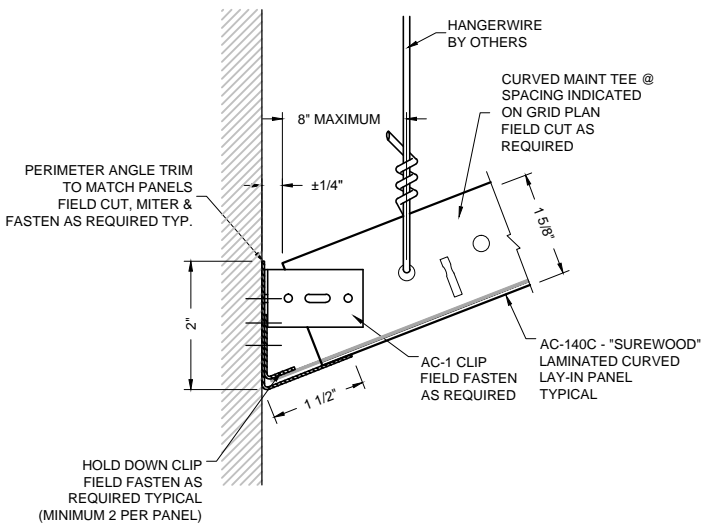
2 PERIMETER DETAIL
AC-140C-PFC2



3 PERIMETER DETAIL
AC-140C-P2



4 PERIMETER DETAIL
AC-140C-P3



5 PERIMETER DETAIL
AC-140C-PFC1